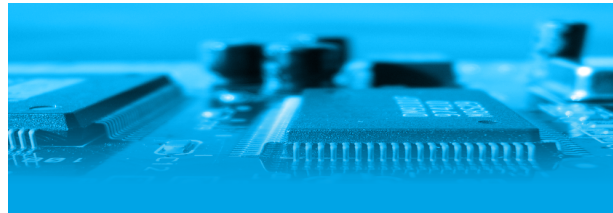


PRODUCT DATASHEETS

SIGMA SERIES



Highlights

N°1 SENSOR TECHNOLOGY IN THE WORLD

Precision and identification in 1 second, regardless of the number of users in the database. IDEMIA SIGMA technology has been ranked No. 1 by the NIST for its accuracy. The optical sensor is also certified PIV IQS by the FBI.

ANTI-FRAUD FEATURES

Fake finger detection and recording of duress fingers. Enhanced access control (finger / badge / code) on models with display. Anti pass back and black list / white list.

ROBUSTNESS

Available in wide and narrow versions, the SIGMA range of readers can be up to IK08 vandal resistant (EXTREME version) and can be mounted in an outdoor enclosure (they are rated IP65).

Main features

- Compatible with MICRO-SESAME MS2016 or higher, and ideally MS2017 to avoid USB IDEMIA Dongle in identification mode
- Embedded badge reader : 13,56 MHz MIFARE+/DESFIRE/NFC, HID IClass or 125 kHz Prox HID
- Storage in SIGMA WIDE database : 5 000 users (2 fingers + 1 duress finger for each user), up to 50 000 or 100 000 users with extension license
- Storage in SIGMA LITE database : 500 users (2 fingers + 1 duress finger for each user), up to 3 000 or 10 000 users with extension license
- Embedded web server for configuration, local enrollment or retrieval of access requests results (connection all OS and browser)



Efficiency and Reliability

High performance and many functions ; the fingerprint readers of the IDEMIA SIGMA series offer a very pleasant user experience.

Compatible with the MICRO-SESAME centralized access control system, only if they are connected to a TIL controller via a dedicated module MLPx or MDPx (V2 series).

These readers can operate both in identification mode (biometric data stored in the database of the reader) and in authentication mode (biometric data stored in user badges).

SIGMA WIDE reader has a large 5-inch touchscreen display. Videophone function and time & attendance features are available, but not integrated in MICRO-SESAME (MorphoManager software).

SIGMA LITE readers have a slimmer design and are designed for installation on narrow surfaces, door frames, turnstiles, or on server bay doors. They are available with (LITE+) or without (LITE) touch screen keyboard.

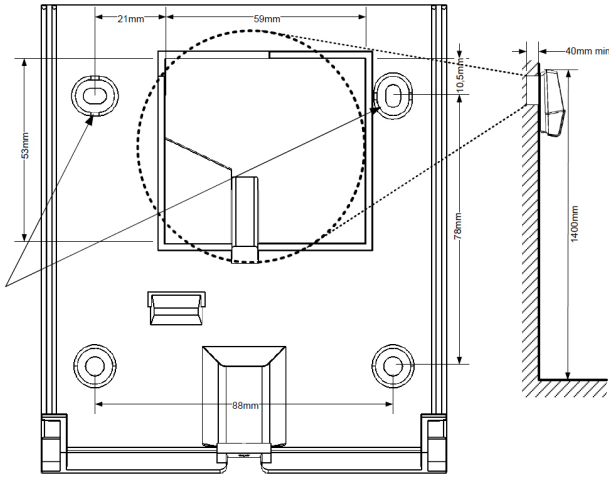
IDEMIA BIOMETRIC READERS

MORPHOWAVE COMPACT	SIGMA SERIES	MORPHOACCESS VP
		

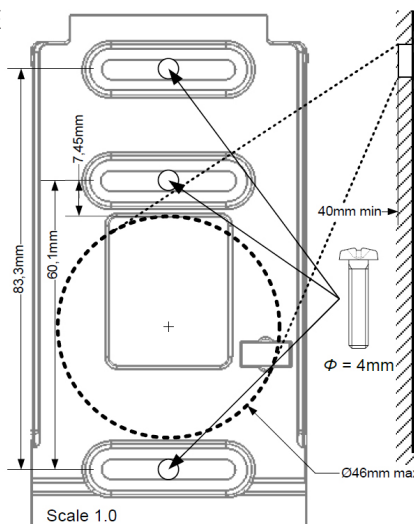
SIGMA SERIES

Dimensions

SIGMA WIDE



SIGMA LITE



Product references

- **LEC72SG3000-NB0** : SIGMA LITE fingerprint reader, MIFARE / MIFARE+ / DESFIRE badge reader, database for 500 users, terminal output, black
- **LEC72SG3124-NB0** : SIGMA LITE+ fingerprint reader with touchscreen, MIFARE / MIFARE+ / DESFIRE badge reader, database for 500 users, terminal output, black
- **LEC72SG4124-NB0** : SIGMA WIDE fingerprint reader with touchscreen, MIFARE / MIFARE+ / DESFIRE badge reader, database for 5000 users, terminal output, black

Technical details

- **Processor** : ARM® Cortex™-A9 core 1GHz
- **Operating system** : Linux
- **Non-contact reader options** : Prox®, iClass®, MIFARE®/ MIFARE®Plus / DESFire®/ NFC(2)
- **Network/Communication** : Ethernet, RS485, USB, optional Wi-Fi
- **Internal storage capacity** : 512MB Flash, 512MB RAM + SD Card 8GB
 - » SIGMA WIDE : 5000 users (2 fingers + 1 duress finger for each user) up to 100 000 with a license
 - » SIGMA LITE : 500 users (2 fingers + 1 duress finger for each user) up to 10 000 with a license
- **Inputs/Outputs** : Wiegand In & Out (customizable up to 512 bits), Relays, 2 or 3 GPI (1 input for LED), 2 ou 3 GPO (2 for SIGMA LITE, 3 for SIGMA)
- **Protections** : Protected against intrusion and tearing
- **Temperature** : -20°C to 60°C
- **Humidity** : 10% to 80%
- **Waterproofing** : IP65 certification
- **Resistance** : up to IK08 (EXTREME version)
- **Dimensions** :
 - » 151*153*58,5 mm (SIGMA WIDE)
 - » 68*156*62 mm (SIGMA LITE)
- **Weight** :
 - » 470 Grams (SIGMA WIDE)
 - » 280 Grams (SIGMA LITE)
- **Alimentation** : 12V-24V DC, Power over Ethernet (PoE), compatible with switches PoE+
- **CEM certifications / Security** : CE, CB, FCC, UL294 (for indoor use only)
- **Compliances** : RoHS, REACh et WEEE
- **MICRO-SESAME compatibility** : MS 2016 or higher and, ideally, MS2017 to avoid USB IDEMIA DONGLE in identification mode

Licenses extensions

- **LEC72SG3-MEM3** : License extension for SIGMA LITE, switching from 500 to 3000 users
- **LEC72SG3-MEM10** : License extension for SIGMA LITE, switching from 500 to 10.000 users, and for SIGMA WIDE : switching from 5.000 to 10.000 users
- **LEC72SG4-MEM50** : License extension for SIGMA WIDE, switching from 5.000 to 50.000 users
- **LEC72SG4-MEM100** : License extension for SIGMA WIDE, switching from 5.000 to 100.000 users

Sales Contact : sales@til-technologies.com
www.til-technologies.com