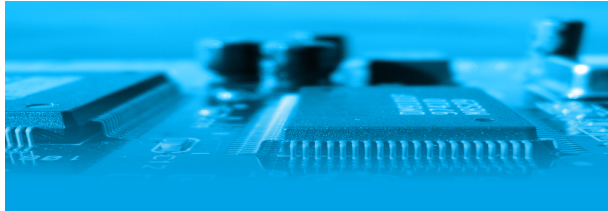


MICROPAK 3 VARIO

PRODUCT DATASHEET



Highlights

EFFICIENT IDENTIFICATION

Infrared flash light and automatic adjustment of the camera - depending on the ambient conditions - can deliver 95% of identification and recognise up to 250km/h.

EASY EXPLOITATION IN MICRO-SESAME

The car plate management system is integrated to MICRO-SESAME. No additional software are needed. The plate number is directly managed in the fields of the "identifiers" form.

INCREASED SECURITY

The choice between simple control "plate or badge" and combined control "plate and badge" allow a better control of the security level



Optimizing vehicle access

Combined to automatic gate or fence the MICROPAK 3 reader allow an efficient control of vehicle access by car plate recognition.

This system give the perfect solution to the three main problems met on this type of access :

- Increase the security level, using a different user identifiant or a badge
- Make fluid the vehicules flow, particularly during busy time
- Increase the user comfort

The MICROPAK camera includes a built-in image processing and a character recognition

Like a badge reader, this software transfers the registration number to the centralized MICROSESAME system, through specialized electronic modules.

Many additional uses can be envisaged, such as automatic invoicing or counting available parking spots.

MICROPAK 3 is available as a simple version, to hang on, or integrated with a pole to fix on the ground.

Main features

- Triggering by signal (cell, loop on the ground ...) or continuously (software plate detection)
- Shooting at 60 frames per second, with built-in infrared flash to capture car plate up to 50 km/h.
- Character recognition and image analyses integrated system
- Data transfer via dedicated remote modules, connected in RS485

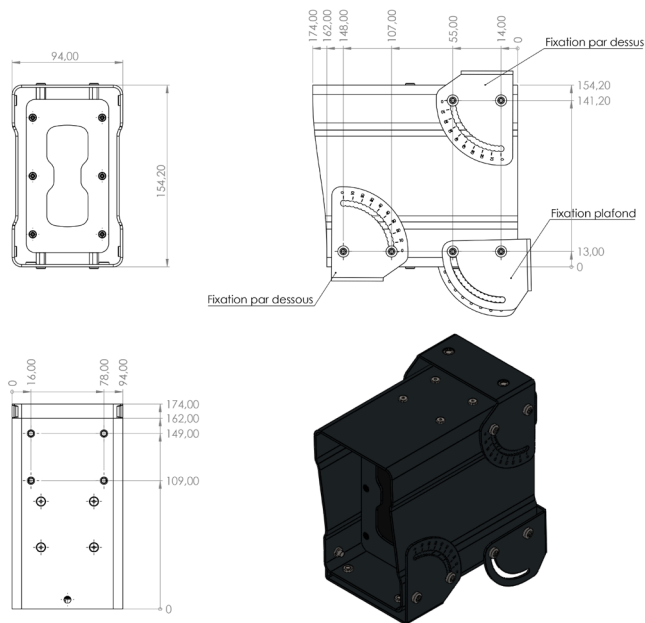
VEHICULES ACCESS CONTROL

PLATES	PASSIVES BADGES	ACTIVE BADGES	RADIOCOMMANDES

MICROPAK 3 VARIO

Dimensions

Front and side views (with protective case)



Product references

MICROPAK 3 VARIO Plate reader, alone, 1 way, Cars + Motorcycles :

- **LPMS7V1-CAM485** : For french plates, Distance from 2 to 6 m
- **LPMS7VM-CAM485** : European plates, Distance from 2 to 6 m
- **LPMS8V1-CAM485** : For french plates, Distance from 4 to 15 m
- **LPMS8VM-CAM485** : European plates, Distance from 4 to 15 m

Pole included (91 cm / 2.99 ft) with MICROPAK 3 VARIO, 1 way, Cars + Motorcycles :

- **LPMS9V1-CAM485** : For french plates, Distance from 2 to 5 m
- **LPMS9VM-CAM485** : European plates, Distance from 2 to 5 m
- **LPMS10V1-CAM485** : For french plates, Distance from 4 to 12 m
- **LPMS10VM-CAM485** : European plates, Distance from 4 to 12 m

MICROPAK 3 VARIO accessories

- **LPMS1-BRAS2** : LARGE ANGLE support arm for alone MICROPAK 3
- **LPMS1-MAC** : Mounting bracket on mast/support arm for alone MICROPAK 3
- **LPMS3-CABLE-AL15** : 15 m power cable for MICROPAK 3, with or without pole - RS485/Wiegand

Support

- **PREST-LPM** : Assistance with the commissioning of the readers

Technical details

Plate reader :

- **Reading distances** : up to 4 m / 13.12 ft
- **Working distance** : 2 - 6 m / 6.56 to 19.68 ft
or 4 - 15 m / 13.12 - 49.21 ft
- **Compatibility** : french plate and/or European Union
- **Speed of vehicules** : from 0 to 250 km/h
- **Triggering** : stand-alone video or external

Video properties :

- **Shooting frequency** : 60 frames per secondes
- **ANPR camera** : HD Camera, 1,3 MPX
- **Illuminator** : 4 LEDs IR 850nm
- **Compression** : H264
- **Settings** : Bitrate, frequency, dynamic framing

Electronic properties :

- **Power supply** : 24 VDC (3 m cable included)
- **Power consumption** : 12 W
- **Communication** : Ethernet, IO out (relai), IO in (optocoupleur), RS-485
- **MTBF** : 70 000 h minimum (~8 years)

Mechanical properties :

- **Dimensions** : 130H x 115P x 70L mm (without) protective case
- **Weight** : 1058 g / 2.3 pound
- **External box** : Aluminium gris - IP67
- **Operating temperature** : - 40°C à + 55°C

Possible connecting modules :

- **MLP2-CUBE-NX** : Door module for TILLYS CUBE, manage 2 RS485 MICROPAK 3 readers, 9 EEQ / 2 outputs relays - DIN Rail mount - **for new clients**
- **MLP2-CUBE** : Door module for TILLYS CUBE, manage 2 RS485 MICROPAK 3 readers, 9 EEQ / 2 outputs relays - DIN Rail mount - **for actual clients with MLP2-CUBE firmware until V4.X**

Sales Contact : sales@til-technologies.com